



CEELOK FAS-T NANO CIRCULAR CONNECTORS

10 GB/S ETHERNET CONNECTIVITY ...
FLEXIBLE ... RUGGED ... COMPACT

CEELOK FAS-T NANO CIRCULAR CONNECTORS

10 Gb/s Ethernet Connectivity



CeeLok FAS-T Nano circular connectors give you 10 Gb/s Ethernet connectivity in a nanominiature circular connector—pushing the limits of high-speed I/O to new levels of compact convenience, durability, and environmental sealing.

The connectors use the same shells as our well-established environmentally sealed circular connectors, but with an enhanced insert to support high-speed signals. The 8-position connector's T-shaped contact pattern provides noise cancellation and decoupling to minimize crosstalk and increase signal integrity.

APPLICATIONS

- Military Weapons
- Ground Support Systems
- Soldier-Worn Applications
- Avionics
- Instrumentation
- Down-hole Telemetry Tools



HIGH SPEED

- 1 or 10 GbE rates high-speed transmission of data, ideal for tight link budgets
- Factory terminated assemblies using 30 AWG TurboTwin cable
- T-shaped pin pattern improves signal integrity through uniform crosstalk cancellation

SPACE AND WEIGHT SAVINGS

- Nanominiature size enables high-speed connectivity in an extremely small space envelope
- Lightweight NANONICS housing available in push-pull or threaded coupling for a broad range of applications and uses

FLEXIBLE CONFIGURATIONS

- Choice of coupling styles:
 - Push-pull quick disconnect
 - Threaded
- Available in board-mount and cable-applied versions

RUGGED

- Withstands the harsh operating environment typical of aerospace, defense, and marine applications

MECHANICAL/ENVIRONMENTAL

- **Vibration, Sine:** 10-2000 Hz, 20g (EIA-364-28, Test Condition IV)
- **Vibration, Random:** 50-2000 Hz, 46.3g (EIA-364-28, Test Condition V, Letter K)
- **Mating Cycles (Min):** 250 Electroless Nickel-plated aluminum shells
- **Mechanical Shock:** 300g, 3ms, Half-sine (EIA364-27, Test Condition D)
- **Weights:** Push-pull plug with a straight backshell and 1 meter of TurboTwin cable weighs less than 13g. A PCB mount receptacle weighs less than 3g
- **Temperature Range:** -55°C to +125°C

TE Components . . . TE Technology . . . TE Know-how . . .

AMP | Agastat | CII | Hartman | Kilovac | Microdot | Nanonics | Polamco | Raychem | Rochester | DEUTSCH
SEACON Phoenix | L.L. Rowe | Phoenix Optix | SEACON

Get your product to market faster with a smarter, better solution.

- **Environmental Sealing:**
Immersion: IP68, mated
Water Jet: IPX6, mated
Dust: IP6X, mated
- **Durability:** 250 mating cycles
- **Salt Fog/Mist:** per Mil-DTL-83513
- **Sine Wave Vibration:** 10–2000 Hz, 20g (EIA-364-28, Test Condition IV)
- **Random Vibration:** 50–2000 Hz, 46.3g (EIA-364-28, Test Condition V, Letter K)
- **Mechanical Shock:** 300g, 3ms, Half-sine (EIA-364-27, Test Condition D)

ELECTRICAL DATA

- **Dielectric Withstanding Voltage:**
500 VAC @ sea level
100 VAC @ 70,000 ft.
- **Current Rating:** 1 amp/contact

MATERIALS

- **Body and Coupling Sleeve:**
Electroless nickel-plated aluminum (standard)
Passivated stainless steel (increased durability)
- **Contacts:** Beryllium copper alloy, gold over nickel
- **Locking Ring:** Electroless nickel-plated beryllium copper
- **Lead Organizer (PCB Mount):** Thermoplastic
- **Insulator:** Liquid crystal polymer
- **O-Ring:** Fluorosilicone

STANDARDS AND TEST REPORT

- **TE Product Specification:** 108-32048
- **TE Qualification Test Report:** 501-134021

Type	Coupling/Mounting	Base Part No.		
		No Backshell	Straight Backshell	Right-Angle Backshell
Plug	Quick Disconnect	1925248-1	1925249-1	1925250-1
	Threaded Coupling	1925251-1	1925252-1	1925253-1
	Flanged Quick Disconnect	1925254-1	1925255-1	1925256-1
Receptacle	Front Flush Mount	1925257-1	—	—
	Rear Panel Mount*	1925258-1	1925259-1	1925260-1
	PCB Mount	1925261-1	—	—

*Mates with both quick-disconnect and threaded plugs.

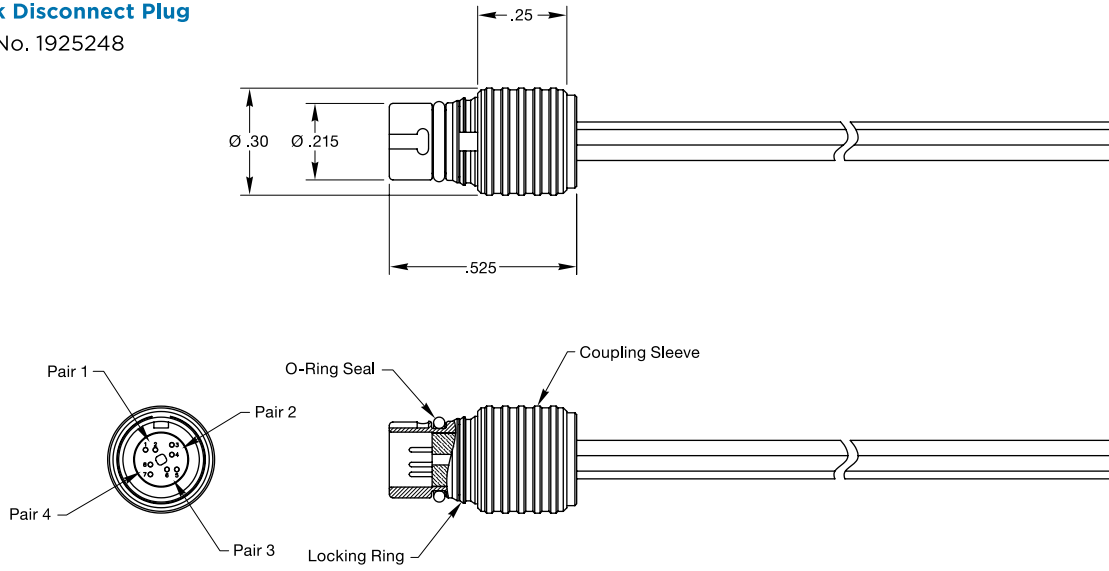
Cable assemblies use Madison TurboTwin cable, a four-pair 30 AWG cable with a 100-ohm differential impedance. Standard length is 36". Consult TE for other lengths.

Board-mount connectors are terminated with 28 AWG solid copper wire, solder dipped at the lead end.

CeeLok Fas-T Nano Circular Connectors

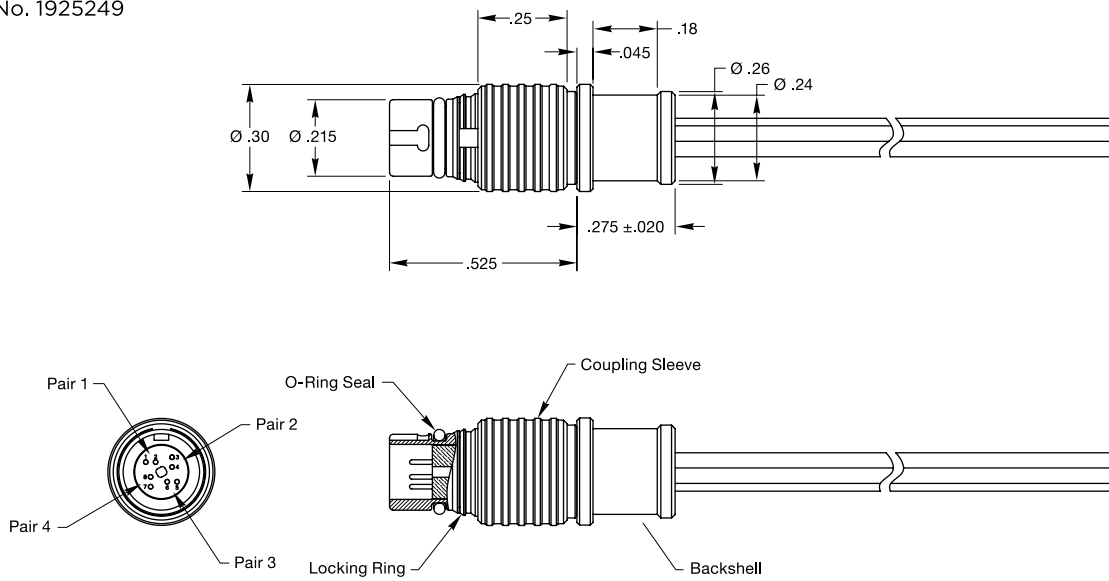
Quick Disconnect Plug

Part No. 1925248



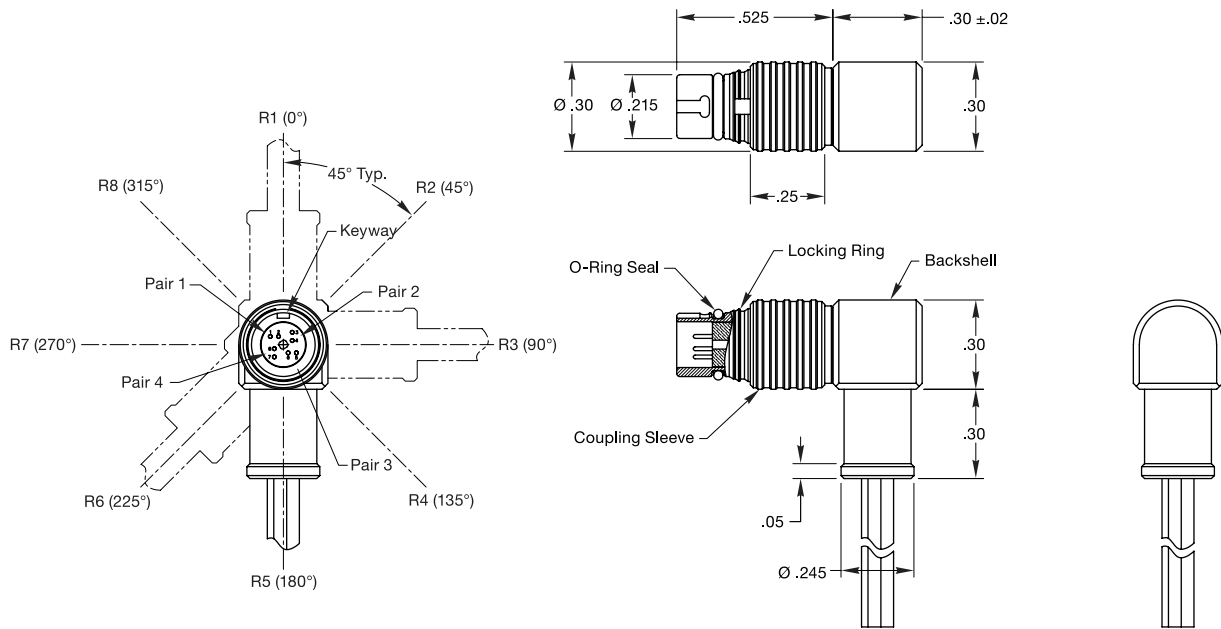
Quick Disconnect Plug, Straight Backshell

Part No. 1925249



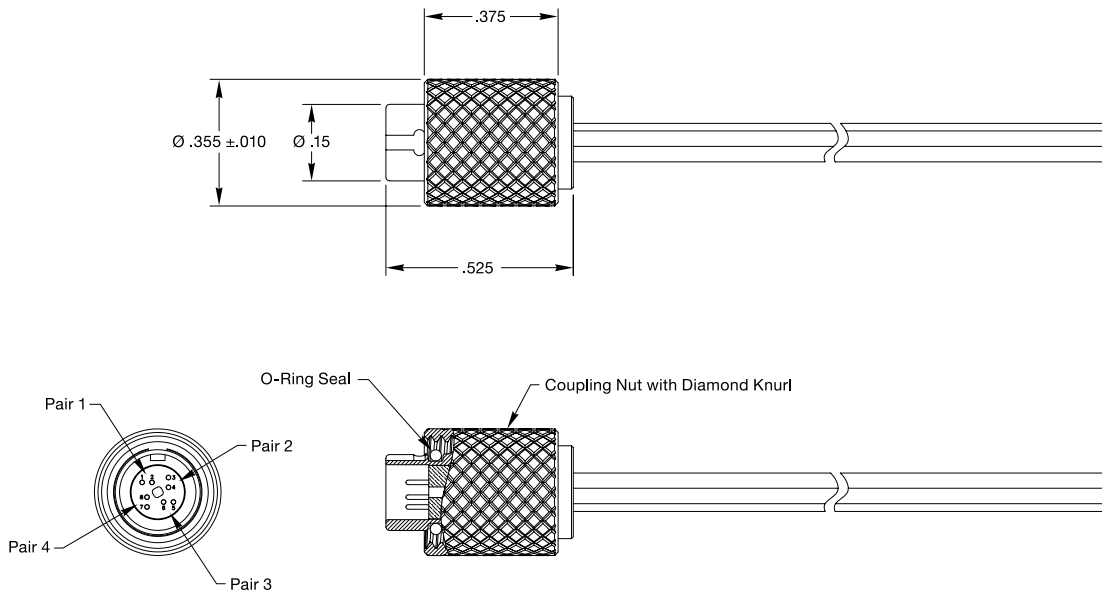
Quick Disconnect Plug, Right-Angle Backshell

Part No. 1925250



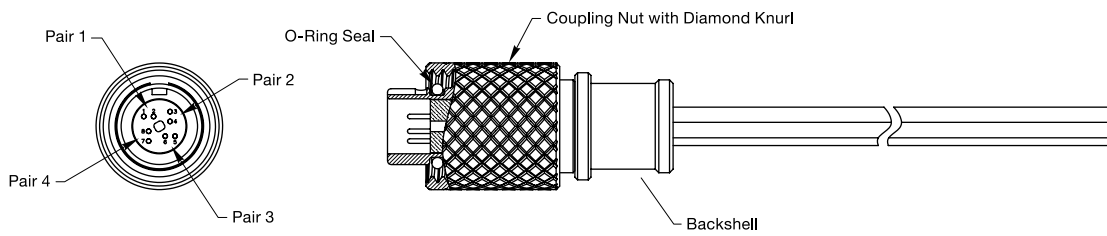
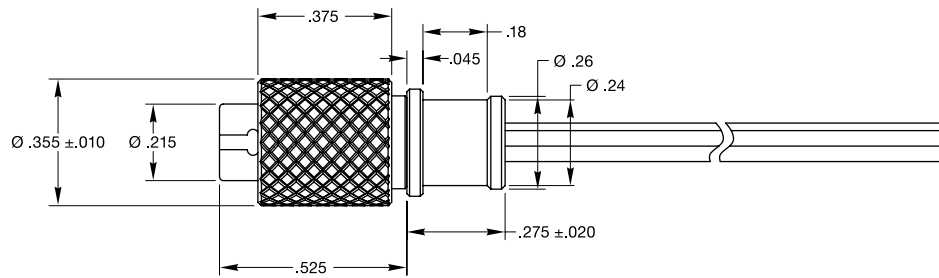
Threaded Plug

Part No. 1925251



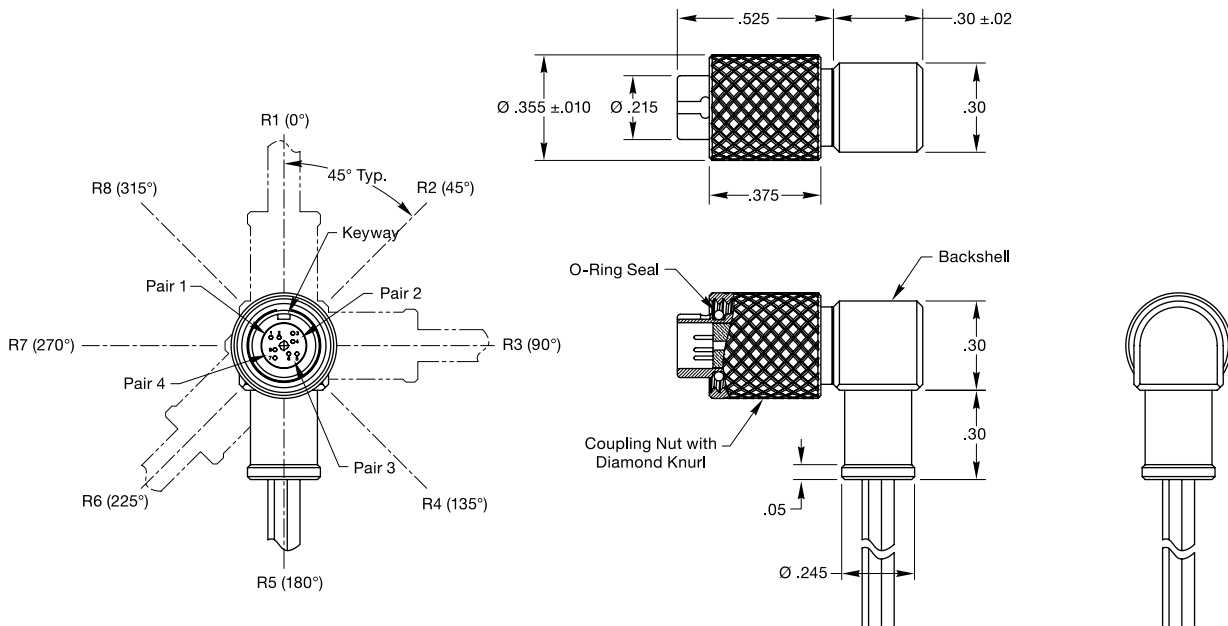
Threaded Plug, Straight Backshell

Part No. 1925252



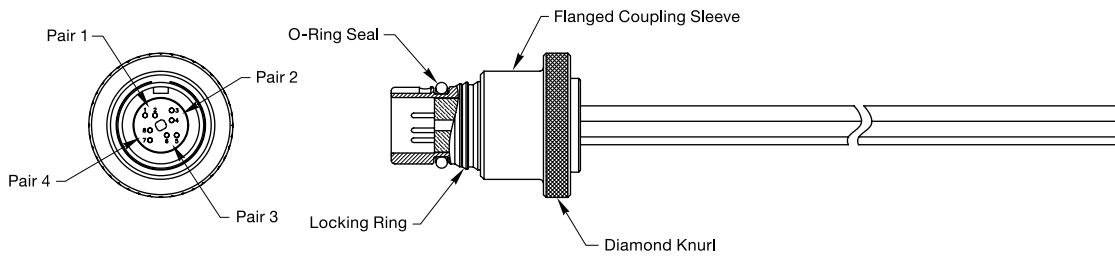
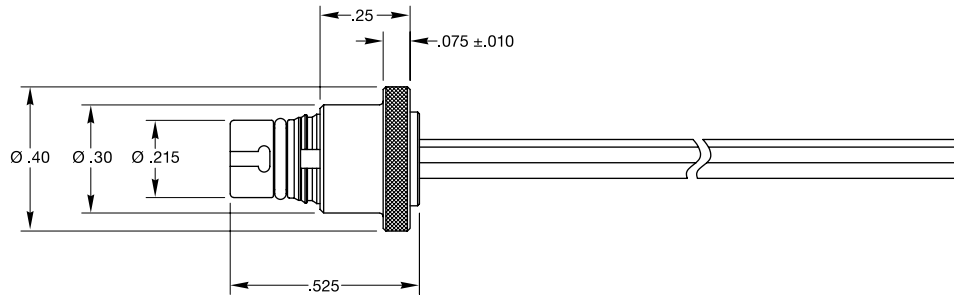
Threaded Plug, Right-Angle Backshell

Part No. 1925253



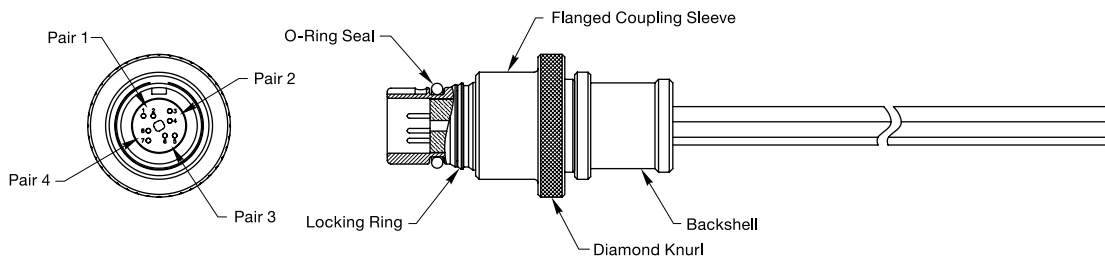
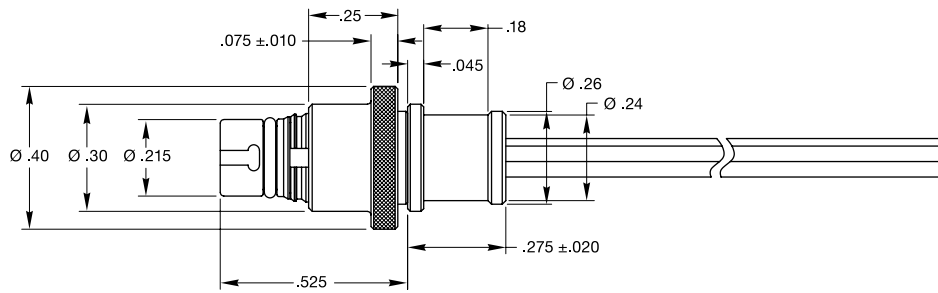
Flanged Quick-Disconnect Plug

Part No. 1925254



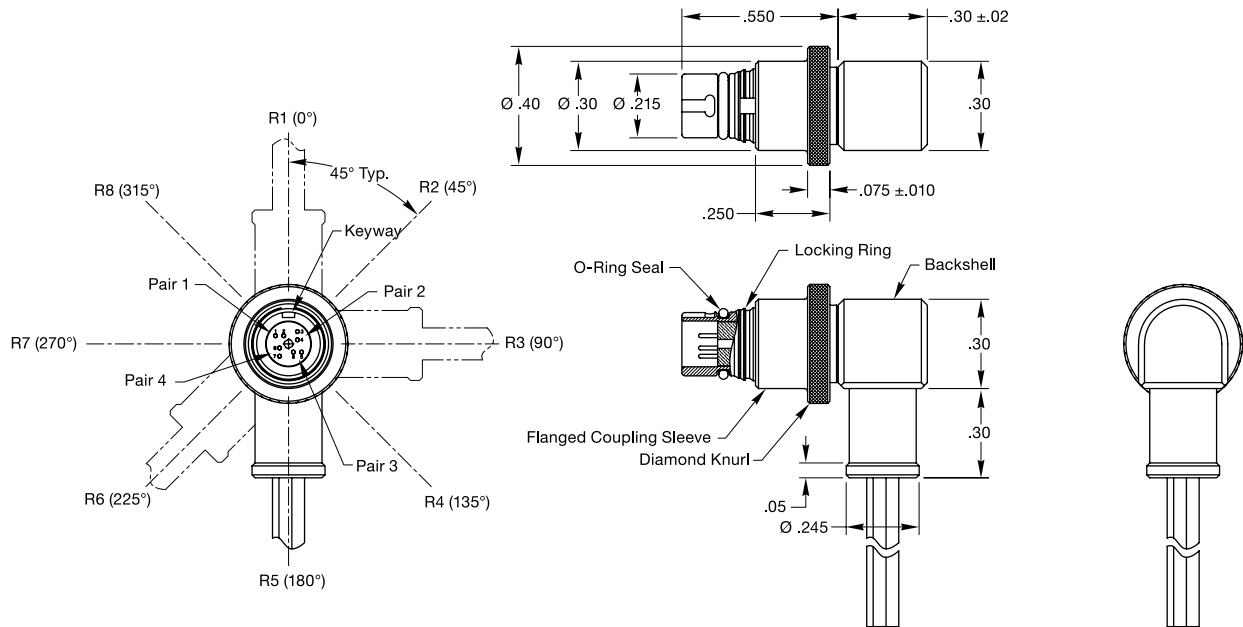
Flanged Quick-Disconnect Plug, Straight Backshell

Part No. 1925255



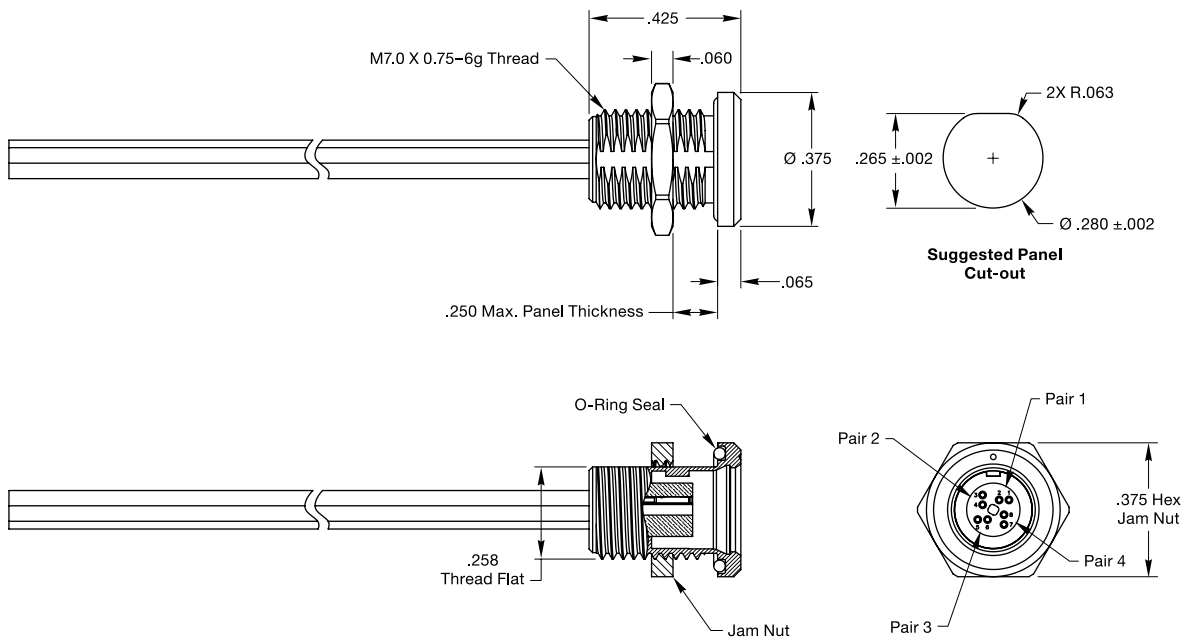
Flanged Quick-Disconnect Plug, Right-Angle Backshell

Part No. 1925256



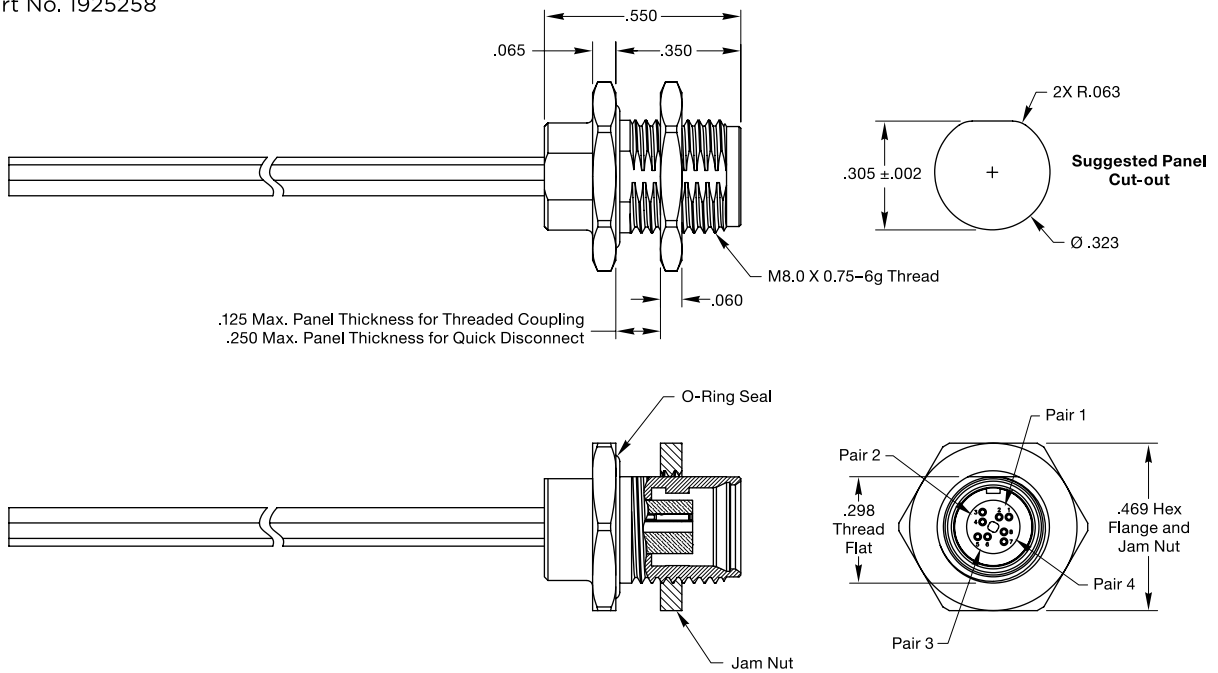
Front Flush-Mount Receptacle

Part No. 1925257



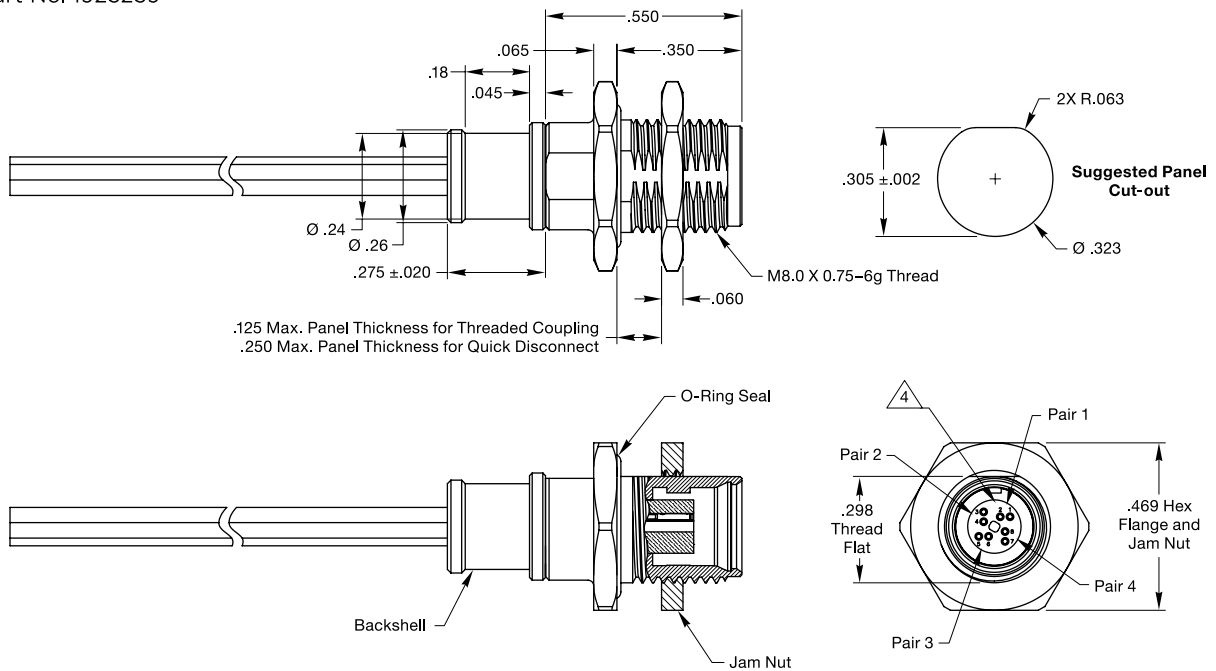
Rear Panel-Mount Receptacle

Mates with both quick-disconnect and threaded plugs
 Part No. 1925258



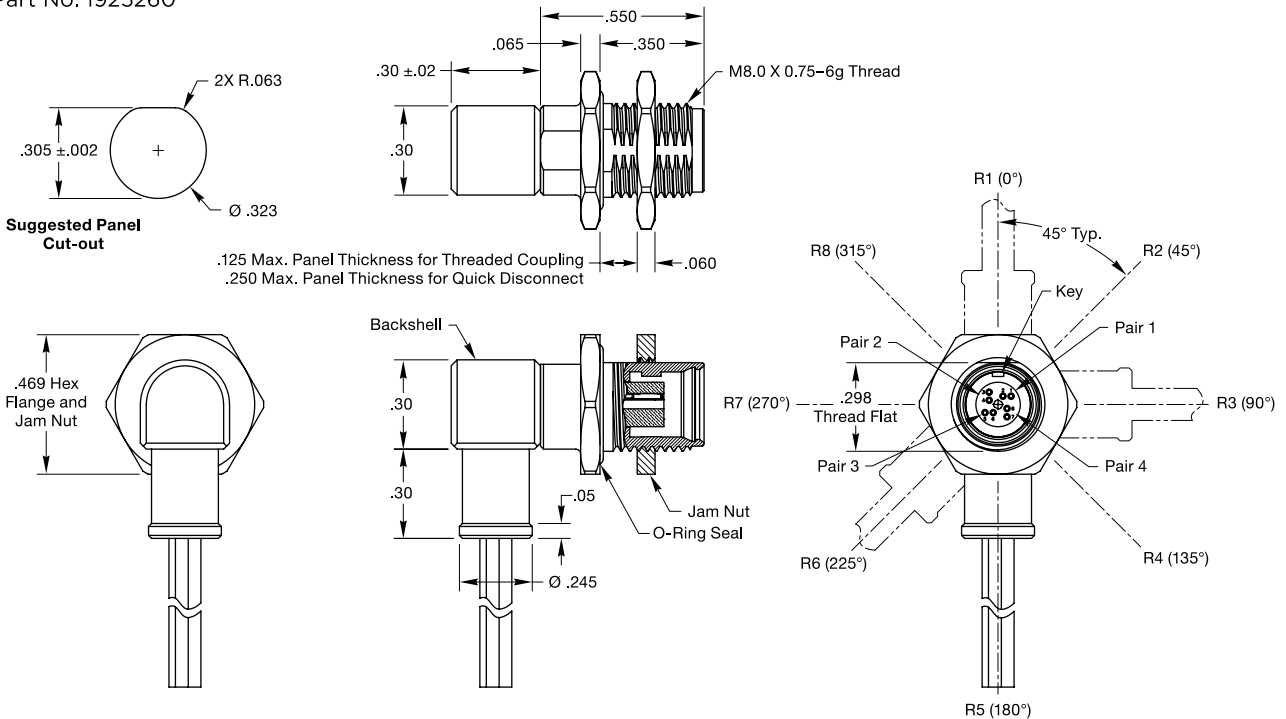
Rear Panel-Mount Receptacle, Straight Backshell

Mates with both quick-disconnect and threaded plugs
 Part No. 1925259



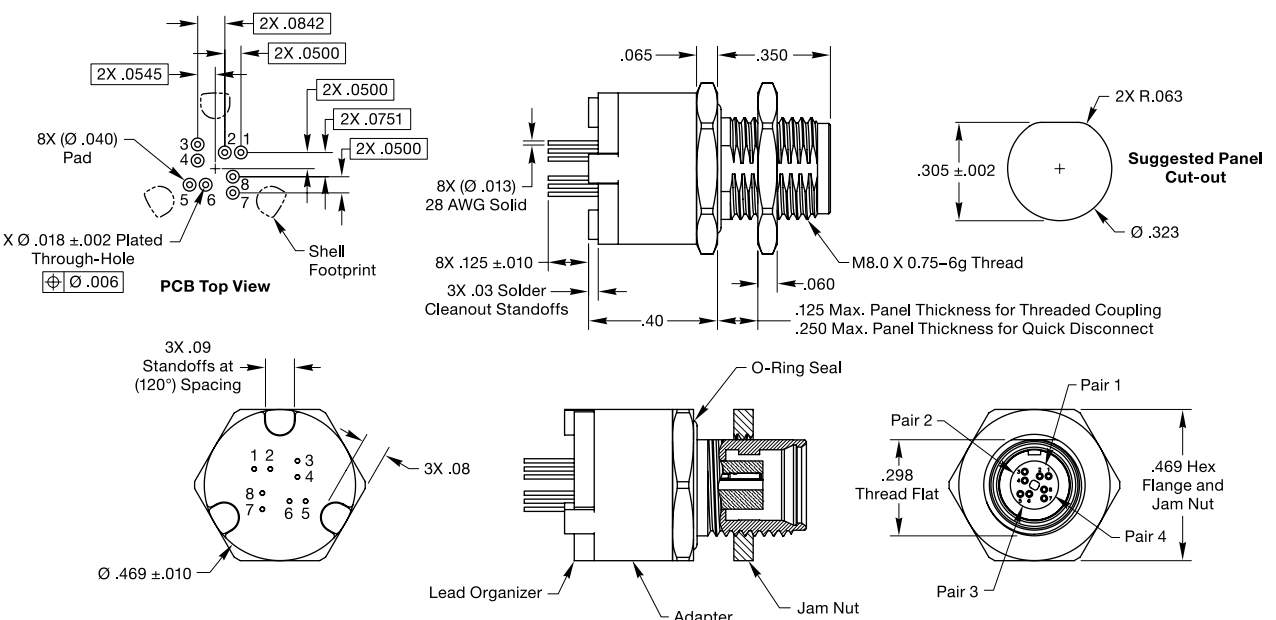
Rear Panel-Mount Receptacle, Right-Angle Backshell

Mates with both quick-disconnect and threaded plugs
 Part No. 1925260



Thru-Hole Board-Mount Receptacle

Mates with both quick-disconnect and threaded plugs
 Part No. 1925261



Accessories

Heat-Shrinkable Molded Boots



Hazard Matched

- Different materials to meet different temperature and environmental requirements
- Optional with pre-applied adhesives for quick installation and high-reliability IP67 sealing
- Epoxy sealing kits available

Versatile

- Sealing and strain relief to the wires and cables
- Straight or 90 degree cable exit

Application Tooling

- HL1910E or the HG-501A ThermoGun heat gun and appropriate hot air reflectors

Bandstraps



Easy to Use

- Quick, easy, cost-effective and reliable termination of braided shielding

High Performance

- Low profile, one-piece design eliminates EMI leakage paths

Rugged

- Shock, vibration and environmental tested to meet aerospace and defense requirements

Material

- Passivated 304 stainless steel, 8" long x .125" wide

Electrical

- Operating Temperature: -65°C to +200°C
- Electrical Resistance: Meets ≤ 1.0 milliohm requirement of AS85049/128
- Corrosion Resistance: 500 hr. salt spray

Mechanical

- Tensile Strength: 200 lb.
- Braid Retention: Meets 100 lb. requirement of AS85049/128

Application Tooling

- Micro Tie-Dex II, A30199

Description	Part No.
Bandstrap	BND-0812S

For More Information

TE Technical Support Center

North America	+1 800 522 6752
Asia Pacific	+86 0 400 820 6015
Austria	+43 1 905 601 228
Baltic Regions	+46 8 5072 5000
Benelux	+31 73 6246 999
Czech Republic	+420 800 701 462
France	+33 1 34 20 86 86
Germany	+49 6251 133 1999
Hungary	+36 809 874 04
Italy	+39 011 401 2632
Nordic	+46 8 5072 5000
Poland	+48 800 702 309
Russia	+7495 790 790 2
Spain/Portugal	+34 93 2910366
Switzerland	+41 52 633 66 26
United Kingdom	+44 800 267 666

Follow us on Twitter for all the latest product news
@TEConnectivity, and on Facebook, TEConnectivity.

te.com/highspeed

© 2015 TE Connectivity Ltd. family of companies. All Rights Reserved.

8-1773700-5 ADM/RRD 2.5M 06/2015

CeeLok FAS-T, MADISON CABLE, NANONICS, TE, TE Connectivity, TE connectivity (logo) and TE (logo) are trademarks of the TE Connectivity group of companies and its licensors.

Other products, logos, and company names mentioned herein may be trademarks of their respective owners.

While TE has made every reasonable effort to ensure the accuracy of the information herein, nothing herein constitutes any guarantee that such information is error-free, or any other representation, warranty or guarantee that the information is accurate, correct, reliable or current. The TE entity issuing this publication reserves the right to make any adjustments to the information contained herein at any time without notice. All implied warranties regarding the information contained herein, including, but not limited to, any implied warranties of merchantability or fitness for a particular purpose are expressly disclaimed. The dimensions herein are for reference purposes only and are subject to change without notice. Specifications are subject to change without notice.

Consult TE for the latest dimensions and design specifications.